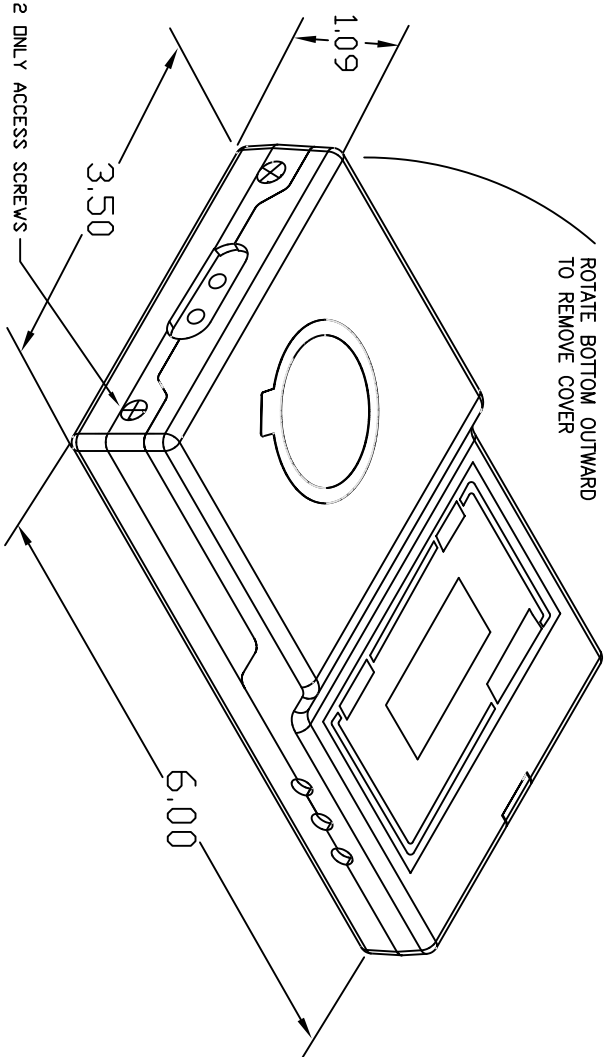
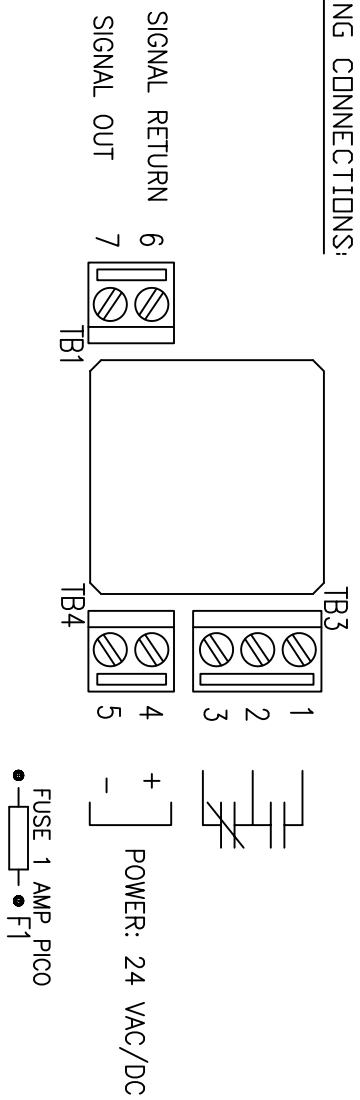


ROTATE BOTTOM OUTWARD TO REMOVE COVER



**WIRING CONNECTIONS:**



**3-WIRE INSTALLATIONS:**  
Where Signal Return may be equivalent to Power Negative or Ground, then a jumper wire must be supplied between Power Negative and Signal Return (Terminals 5 and 6). This may be done with 24VDC systems and AC systems grounded one side.

**SPECIFICATIONS:**

**POWER SUPPLY**  
24 VAC or 24 VDC (Nominal)  
Less than 100 milliamperes operating  
Allow 250 milliamperes turn-on surge  
Range: DC: 15 to 40 VDC  
AC: 12 to 28 VAC

**SIGNAL OUTPUT**  
4-20 mA linear : Max Impedance 750 Ohms  
DR  
2-10 VDC linear : Min Impedance 100,000 Ohms  
**OPERATING RANGE**  
2500 ppm Default  
Adjustable 2000 - 5000 ppm CO2

**SENSOR**  
Single-Beam Non-Dispersive Infra-Red  
**ENVIRONMENT**  
Temperature: 40°F to 104°F (5°C to 40°C)  
Humidity: 0 to 99 % Non-Condensing

**SENSOR/TRANSMITTER MOUNTING**  
Wall Mounting :  
Mount holes fit standard Switch Box  
**CABLE ENTRY**  
From back of enclosure 94 V-0

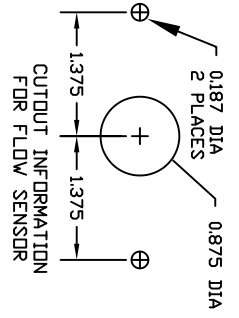
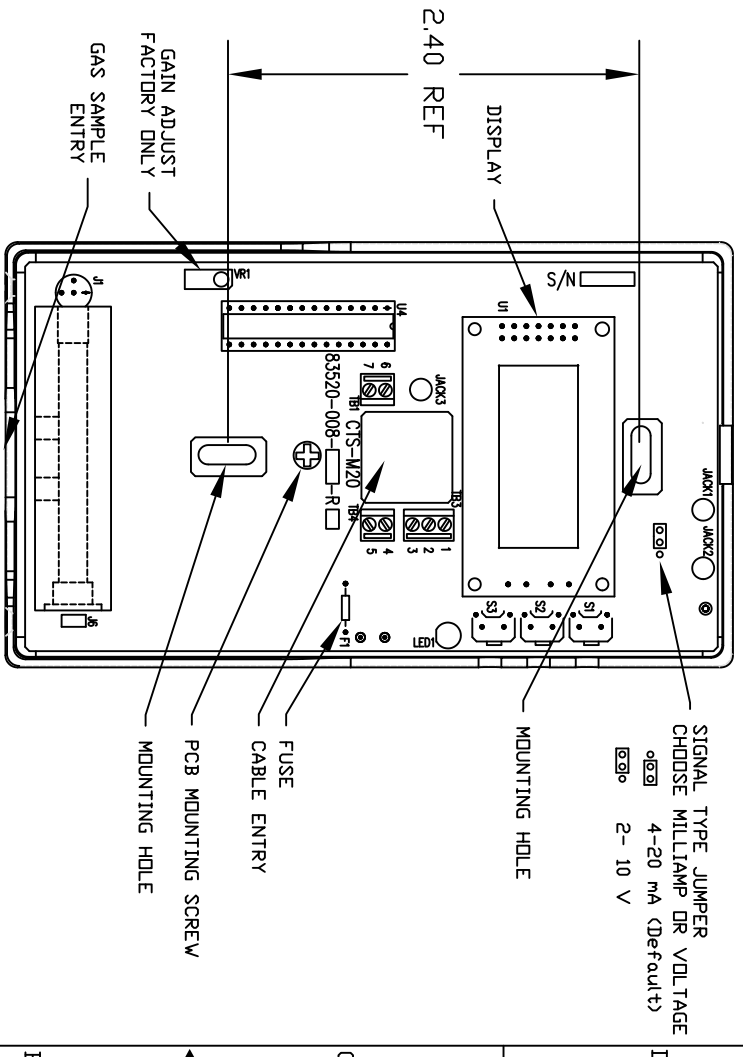
**ENCLOSURE**  
ABS Plastic Fire Retardant  
Colour: Pantone - Cool Grey 2U  
**WIRE**  
Connectors: Terminal blocks, screw type for lead wire.  
Size: Min. 26 AWG (0.40mm)  
Size: Max. 16 AWG (1.3 mm)

REV		EOD		DESCRIPTION		DATE		DRN		CHK		APP'VD	
A	---	---	---	FIRST RELEASE	01-07-80	YD	BC	BC	BC	BC	BC	BC	BC
B	462	---	---	UPDATE SIGNAL OUTPUT NOTE	01-09-80	YD	BC	BC	BC	BC	BC	BC	BC
C	748	---	---	UPDATE J3 DEFAULT	05-09-87	YD	DH	DH	DH	DH	DH	DH	DH
D	839	---	---	Default 4-20mA / 0-2500ppm	2008-01-03	XY	Crndy	Crndy	Crndy	Crndy	Crndy	Crndy	Crndy

DRN YDUBE	00-12-13	QUATROSENSE ENVIRONMENTAL LTD
CHK	00-12-13	RICHMOND, ONTARIO, CANADA
DSGN YDUBE	00-12-13	
APP'VD		M-20
QA		
APPLICATION		INSTALLATION DRAWING
SIZE	TYPE	DWG NO
B	ID	83550-001-000
SCALE	FILE	483550-001-000-RAD.DWG
		SHEET 1 OF 2

REV		ECD		DESCRIPTION		DATE		DRN		CHK		AP/VD	
D	---	---	---	SEE SHEET ONE	ONE	---	---	---	---	---	---	---	---

REVISONS		DATE		DRN		CHK		AP/VD	
1	---	---	---	---	---	---	---	---	---



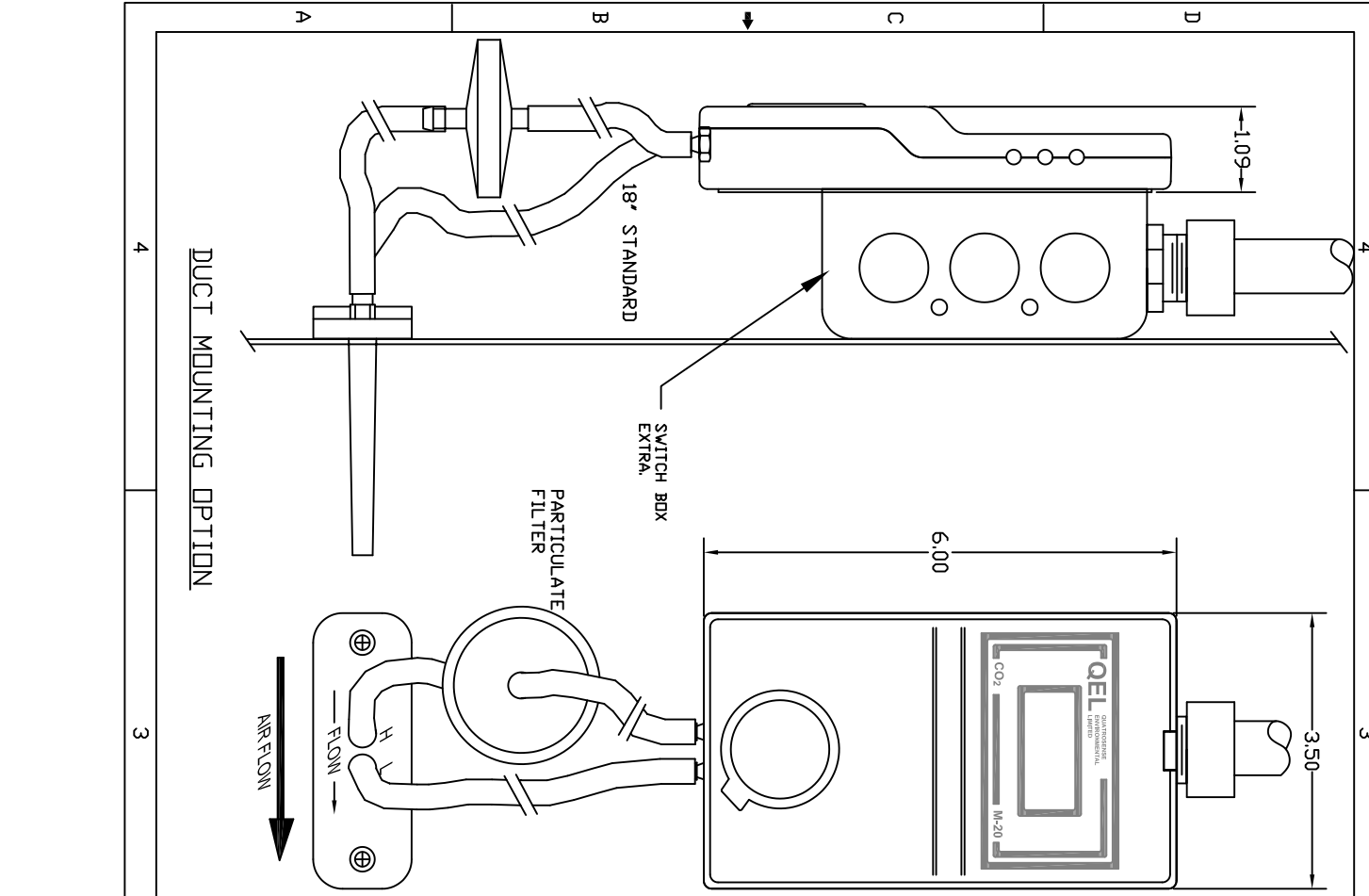
**SIGNAL MONITORING METER PROBE JACKS**

Jack1 4-20 mA signal output only  
 Jack2 2-10 V signal output OR 4-20 mA negative (does not interrupt signal).  
 Jack3 Signal Common (interrupts 4-20 mA output)

**DUCT ADAPTER**

DRN Y/D/BE	00-12-13	QUATROSENSE ENVIRONMENTAL LTD	
CHK		RICHMOND, ONTARIO, CANADA	
DSGN Y/D/BE	00-12-13	M-20	
AP/VD		INSTALLATION DRAWING	
QA			
APPLICATION			
SIZE	TYPE	DWG NO	REV
B	ID	83550-001-000	D
SCALE	FILE	83550-001-000-RE2/DWG SHEET 2 OF 2	

NOTE: GAS SAMPLING OCCURS WHEN AIR FLOW ACROSS THE TWO TUBES CAUSES DIFFERENTIAL PRESSURE. THIS METHOD WILL NOT WORK IN STATIC AIR SAMPLING.



A B C D

1 2 3 4