

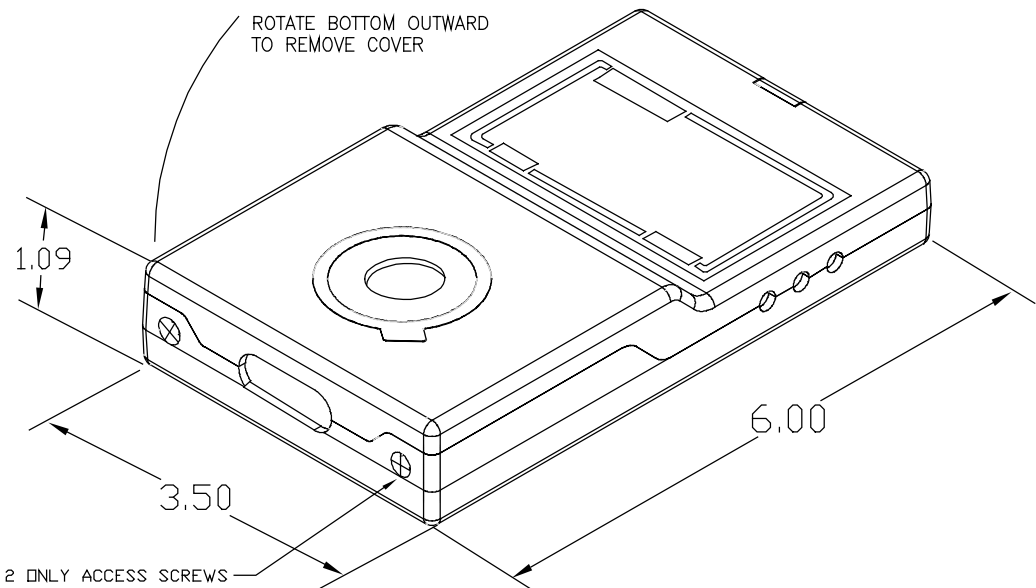
4

3

2

1

REVISIONS						
REV	ECD	DESCRIPTION	DATE	DRN	CHK	APVD
A	---	FIRST RELEASE	02-04-04	YD	BC	BC
B	640	ADD RS485 WIRING	04-05-07	XY	XY	XY
C	722	FIX RS485 TERMINATOR	05-05-16	DH	DH	DH



SPECIFICATIONS:

POWER SUPPLY
 24 VAC or 24 VDC (Nominal)
 Less than 100 milliamps operating
 Allow 250 milliamps turn-on surge
 Range: DC: 18 to 30 VDC
 AC: 18 to 30 VAC

SIGNAL OUTPUT
 4-20 mA linear
 OR
 2-10 VDC linear

OPERATING RANGE
 0-500 ppm CO Default
 Fully Adjustable Signal Assignment

SENSOR
 Solid State, CO Specific

ENVIRONMENT
 Temperature: -2°F to 104°F (-20°C to 40°C)
 Humidity: 0 to 99 % Non-Condensing

SENSOR/TRANSMITTER MOUNTING
 Wall Mounting
 Mount holes fit standard Switch Box

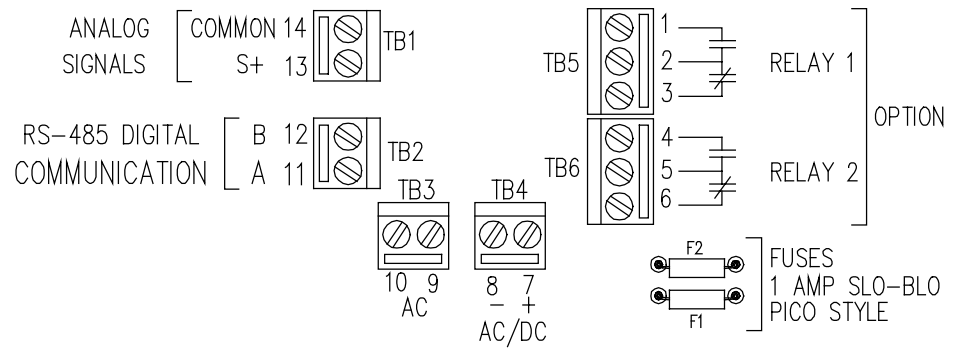
CABLE ENTRY
 From back of enclosure 94 V-0

ENCLOSURE
 ABS Plastic Fire Retardant 94 V-0
 Colour: Pantone - Cool Grey 2U

WIRE
 Connectors: Terminal blocks, screw type for lead wire.
 Size: Min. 26 AWG (0.40mm)
 Size: Max. 16 AWG (1.3 mm)

RELAYS
 Relays (2) (OPTIONAL)
 1 Amp SPDT

WIRING CONNECTIONS:



SEE SHEET TWO FOR POWER CONNECTION

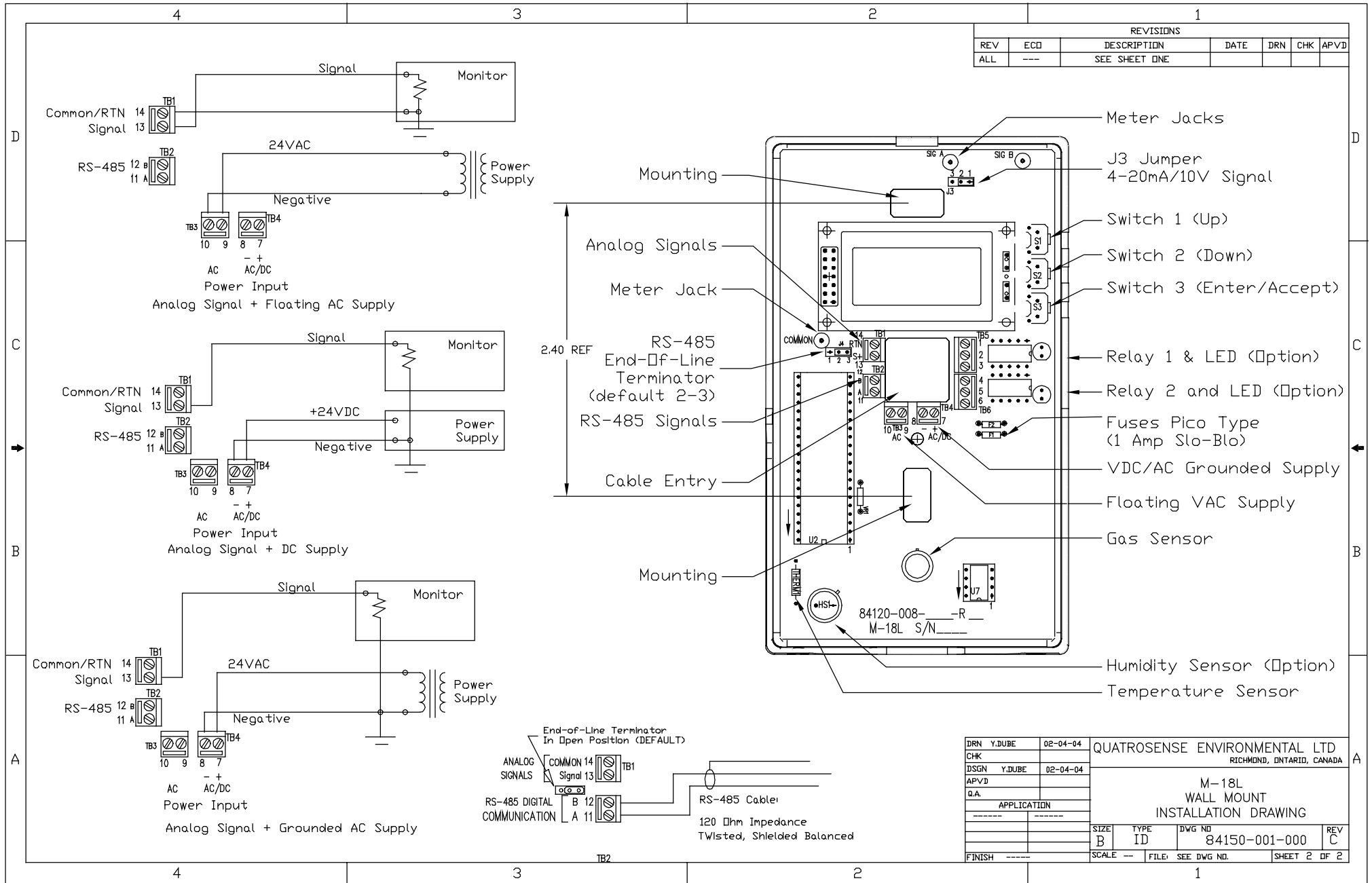
DRN Y.DUBE	02-04-04	QUATROSENSE ENVIRONMENTAL LTD			
CHK		RICHMOND, ONTARIO, CANADA			
DSGN Y.DUBE	02-04-04	M-18L WALL MOUNT INSTALLATION DRAWING			
APVD					
Q.A.		SIZE B	TYPE ID	DWG NO 84150-001-000	REV C
APPLICATION		SCALE	FILE: SEE DWG NO.	SHEET 1 OF 2	

4

3

2

1



REVISIONS						
REV	ECD	DESCRIPTION	DATE	DRN	CHK	APVD
ALL	---	SEE SHEET ONE				

DRN	Y.DUBE	02-04-04	QUATROSENSE ENVIRONMENTAL LTD			
CHK			RICHMOND, ONTARIO, CANADA			
DSGN	Y.DUBE	02-04-04	M-18L WALL MOUNT INSTALLATION DRAWING			
APVD						
Q.A.						
APPLICATION			SIZE	TYPE	DWG NO	REV
			B	ID	84150-001-000	C
FINISH			SCALE	FILE	SEE DWG NO.	SHEET 2 OF 2