

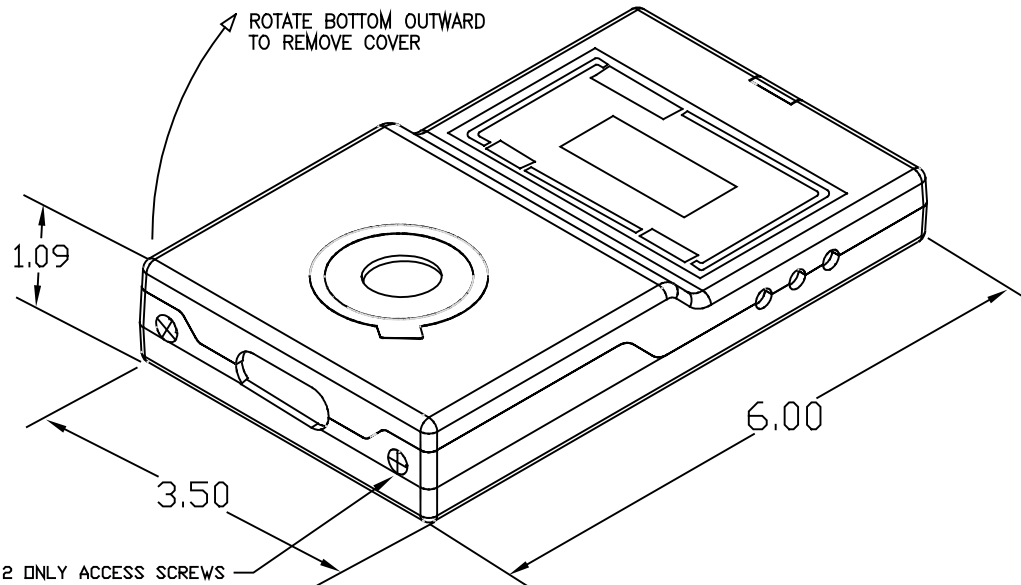
4

3

2

1

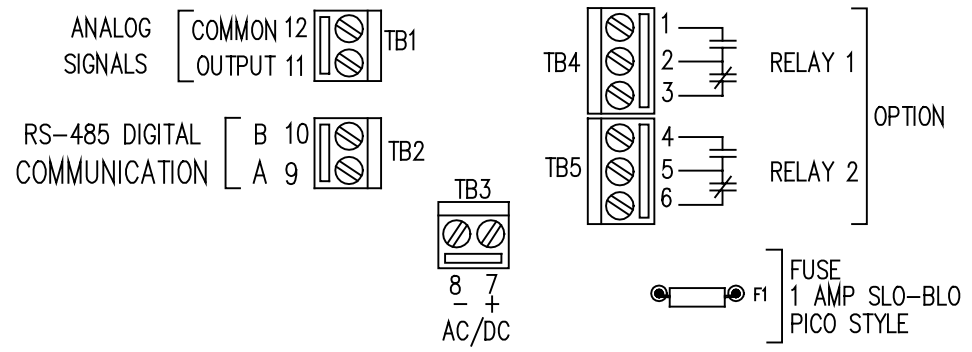
REVISIONS						
REV	ECD	DESCRIPTION	DATE	DRN	CHK	APVD
A	687	FIRST RELEASE	05-02-11	DH	CG	DH



SPECIFICATIONS:

- POWER SUPPLY**
 24 VAC or 24 VDC (Nominal)
 Less than 100 millamps operating
 Allow 250 millamps turn-on surge
 Range: DC: 18 to 30 VDC
 AC: 18 to 30 VAC
- SIGNAL OUTPUT**
 4-20 mA linear
 OR
 2-10 VDC linear
- OPERATING RANGE**
 0-100% LEL (Display)
 Fully Adjustable Signal Assignment of 4-20 mA (2-10VDC)
- SENSOR**
 Catalytic
- GAS TYPE**
 Butane, Ethanol, Methane, Propane
 Gen LEL (General LEL -> Other Combustibles)
- MOUNTING HEIGHT**
 Methane = 1 Ft (0.3m) From Ceiling
 Butane, Ethanol, Propane = 1 Ft (0.3m) From Floor
 Gen LEL = Mount according to requirement for gas
- ENVIRONMENT**
 Temperature: -4°F to 104°F (-20°C to 40°C)
 Humidity: 0 to 99 % Non-Condensing
- SENSOR/TRANSMITTER MOUNTING**
 Wall Mounting
 Mount holes fit standard Switch Box
- CABLE ENTRY**
 From back of enclosure 94 V-0
- ENCLOSURE**
 ABS Plastic Fire Retardant 94 V-0
- WIRE**
 Connectors: Terminal blocks, screw type for lead wire.
 Size: Min. 26 AWG (0.40mm)
 Size: Max. 16 AWG (1.3 mm)
- ALARM OPTION**
 Relays (2) 1 Amp SPDT
 Buzzer

WIRING CONNECTIONS:



DRN Y.DUBE	03-03-13	QUATROSENSE ENVIRONMENTAL LTD	
CHK		RICHMOND, ONTARIO, CANADA	
DSGN BC/DH	04-10-07	M-17 COMBUSTIBLE DUCT MOUNT INSTALLATION DRAWING	
APVD			
APPLICATION		SIZE B	TYPE ID
		DWG NO	84450-003-000
FINISH		SCALE	FILE
		REV A	SHEET 1 OF 5

4

3

2

1

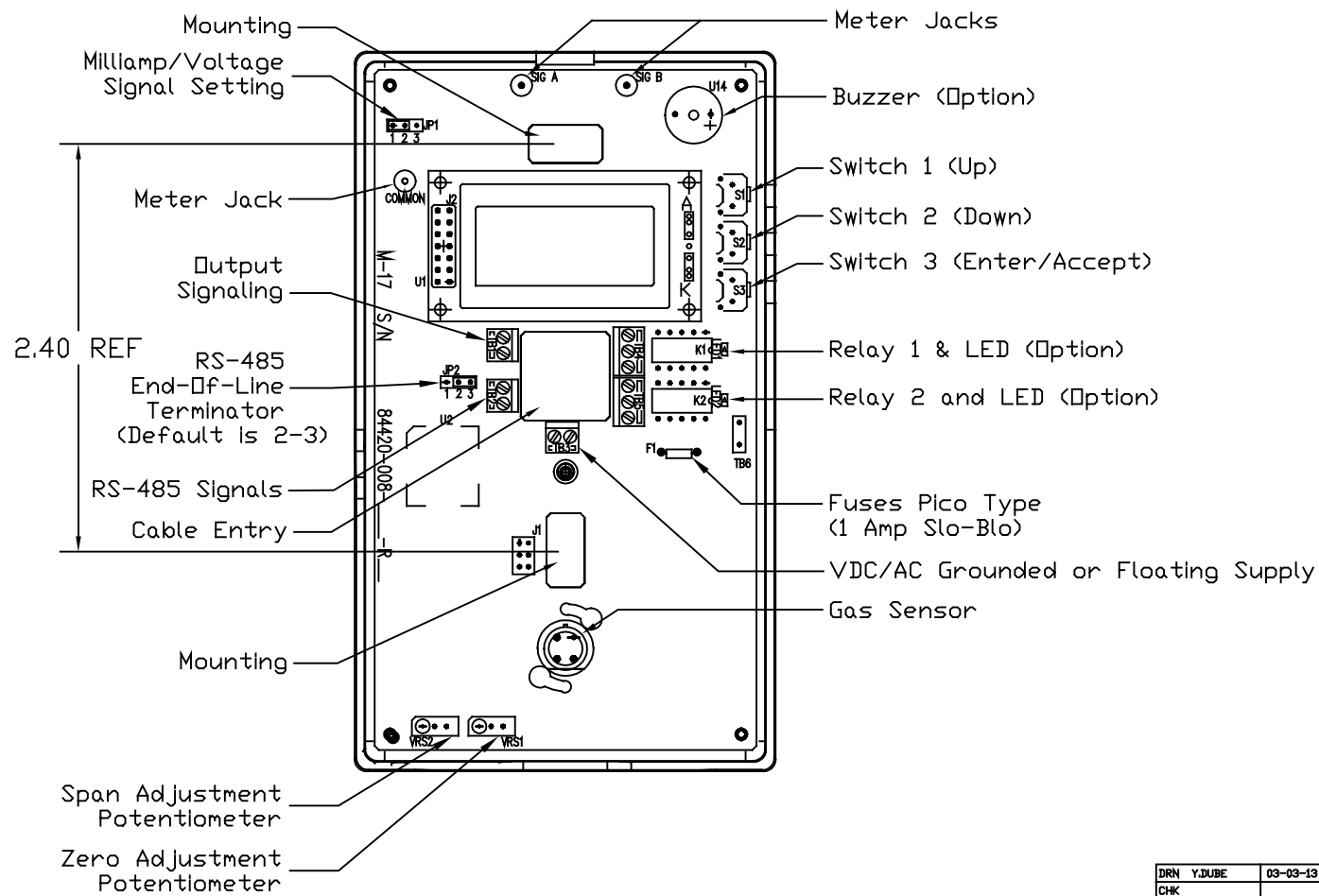
4

3

2

1

REVISIONS						
REV	ECD	DESCRIPTION	DATE	DRN	CHK	APVD
ALL	----	SEE SHEET ONE				



DRN	Y.DUBE	03-03-13	QUATROSENSE ENVIRONMENTAL LTD			
CHK			RICHMOND, ONTARIO, CANADA			
DSGN	Y.DUBE	03-03-13	M-17 COMBUSTIBLE DUCT MOUNT INSTALLATION DRAWING			
APVD						
G.A.			SIZE	TYPE	DWG NO	REV
			B	ID	84450-003-000	A
FINISH	----		SCALE	FILE		SHEET 2 OF 5

4

3

2

1

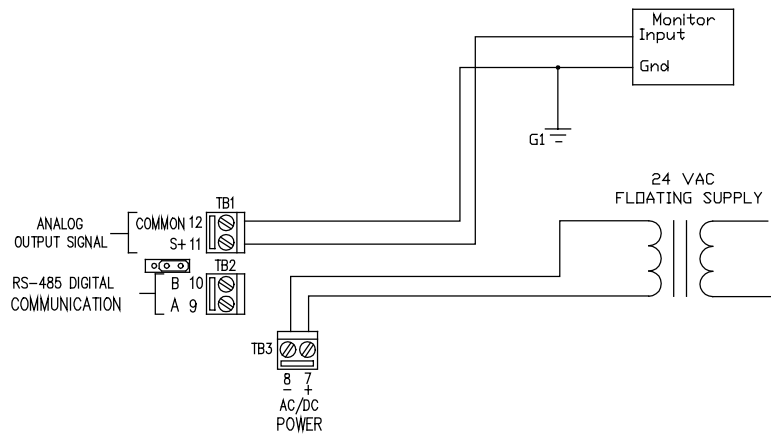
4

3

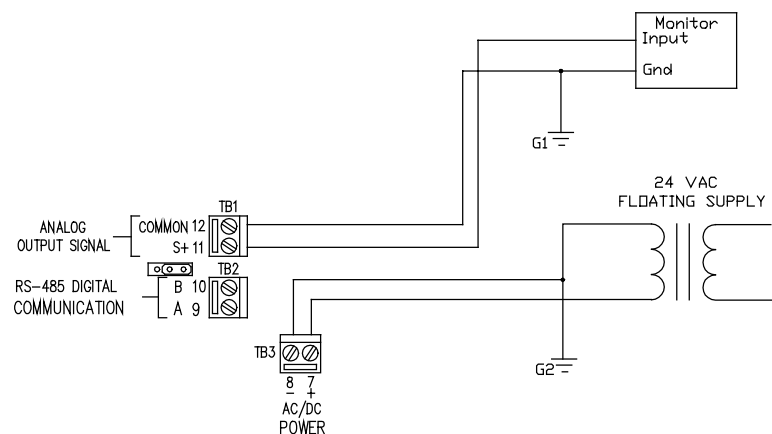
2

1

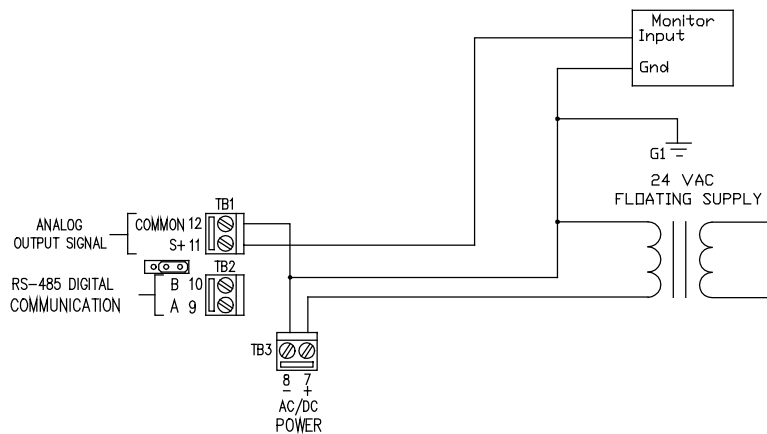
REVISIONS						
REV	ECD	DESCRIPTION	DATE	DRN	CHK	APVD
ALL	---	SEE SHEET ONE				



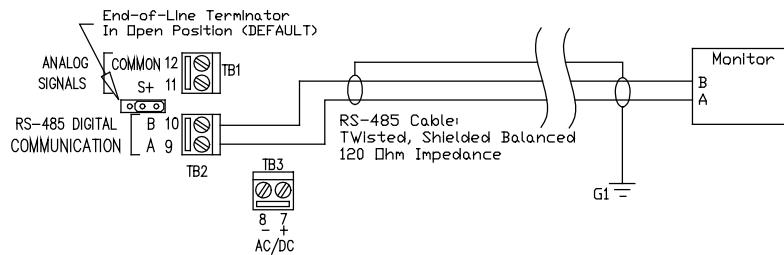
24VAC Floating Supply With 4-Wire Installation



24VAC Floating Supply With Separate Grounds



24VAC Supply With Common Ground



RS-485 Terminations (TB2 and JP2)

DRN	Y.DUBE/DH	04-10-07	QUATROSENSE ENVIRONMENTAL LTD			
CHK			RICHMOND, ONTARIO, CANADA			
DSGN	DH	04-10-07	M-17			
APVD			COMBUSTIBLE DUCT MOUNT			
Q.A.			INSTALLATION DRAWING			
APPLICATION			SIZE	TYPE	DWG NO	REV
			B	ID	84450-003-000	A
FINISH			SCALE	FILE		SHEET 3 OF 5

4

3

2

1

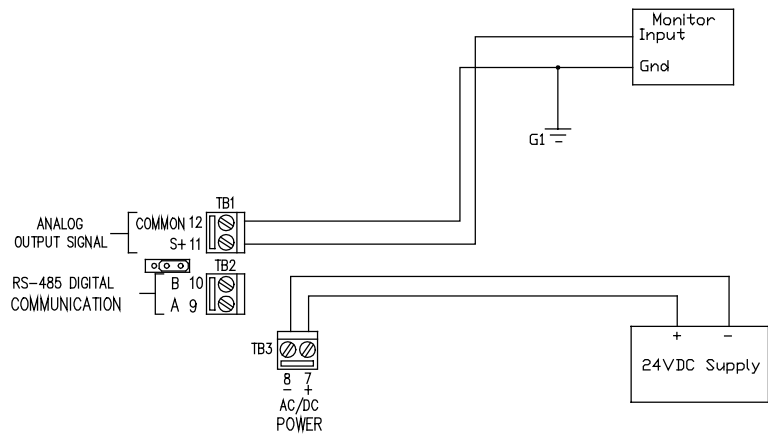
4

3

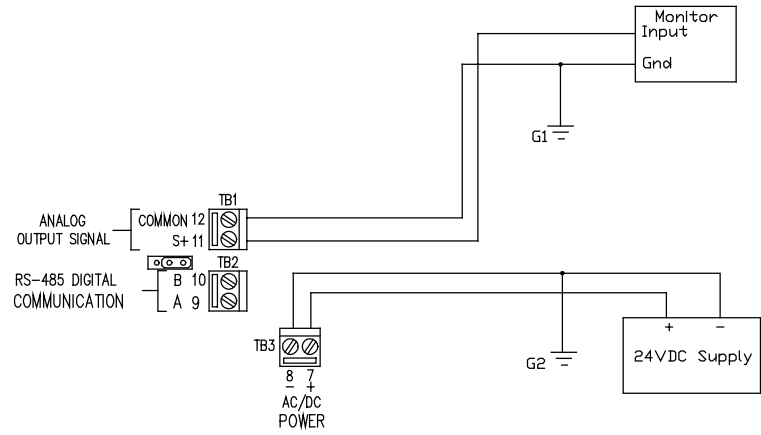
2

1

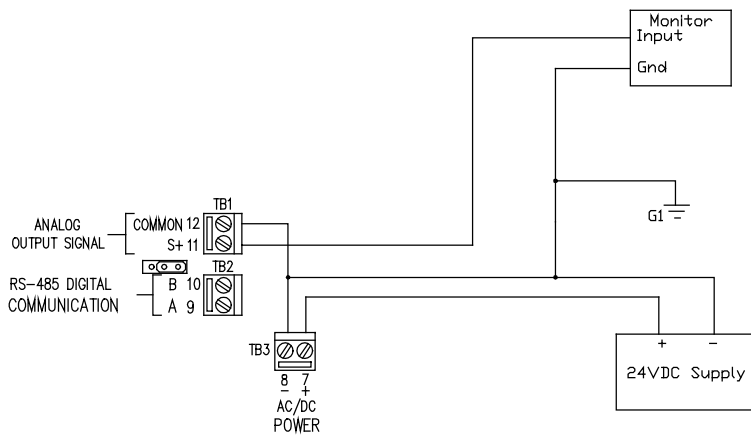
REVISIONS						
REV	ECD	DESCRIPTION	DATE	DRN	CHK	APVD
ALL	---	SEE SHEET ONE				



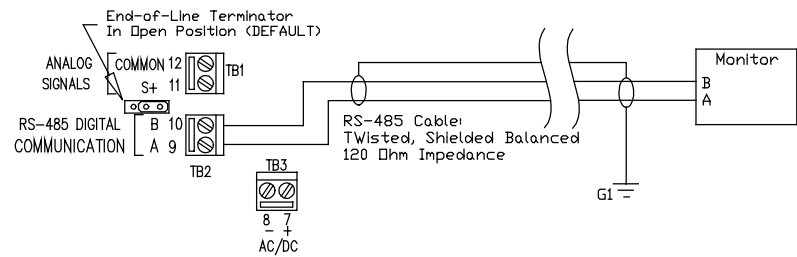
24VDC Floating Supply With 4-Wire Installation



24VDC Floating Supply With Separate Grounds



24VDC Supply With Common Ground



RS-485 Terminations (TB2 and JP2)

DRN	Y.DUBE/DH	04-10-07	QUATROSENSE ENVIRONMENTAL LTD			
CHK			RICHMOND, ONTARIO, CANADA			
DSGN	DH	04-10-07	M-17			
APVD			COMBUSTIBLE DUCT MOUNT			
Q.A.			INSTALLATION DRAWING			
APPLICATION			SIZE	TYPE	DWG NO	REV
			B	ID	84450-003-000	A
FINISH			SCALE	FILE	SHEET 4 OF 5	

4

3

2

1

4

3

2

1

REVISIONS						
REV	ECD	DESCRIPTION	DATE	DRN	CHK	APVD
ALL	---	SEE SHEET ONE				

D

C

B

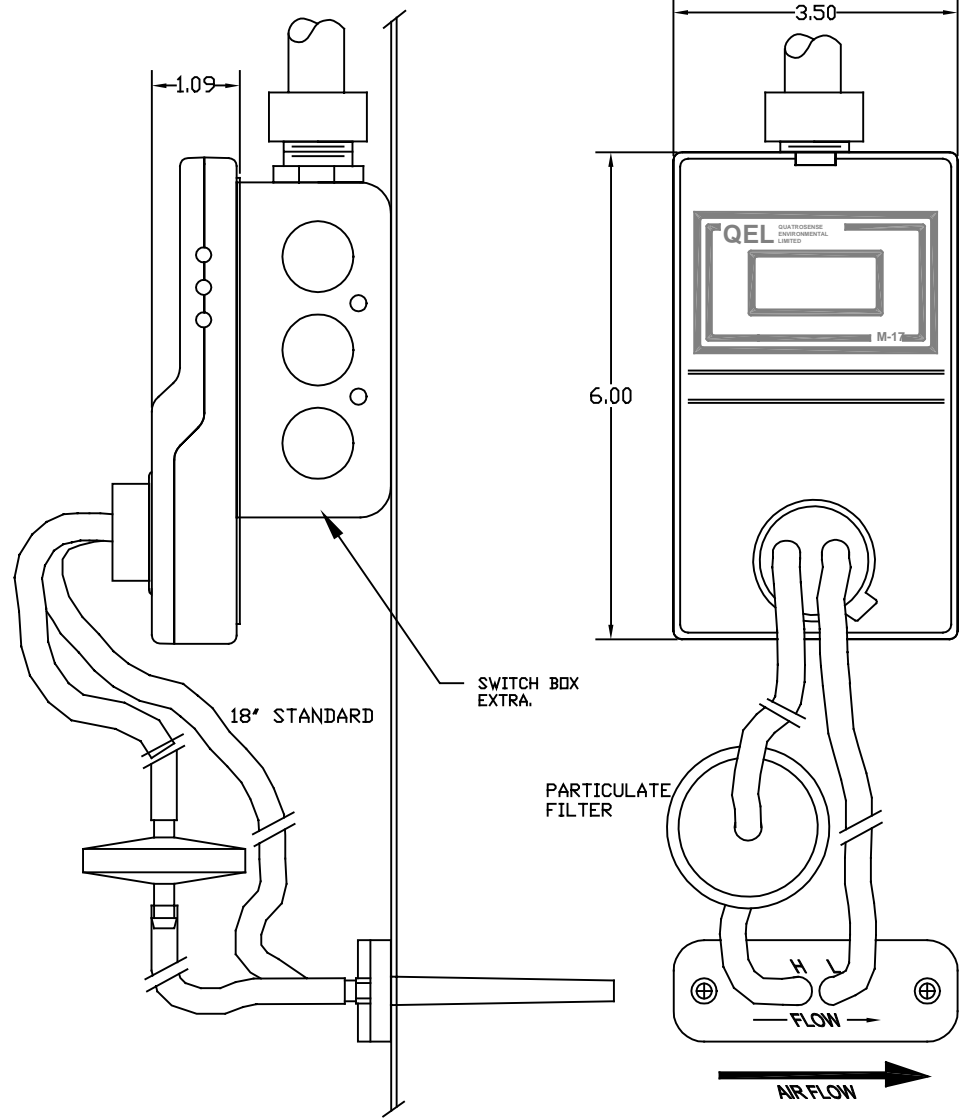
A

D

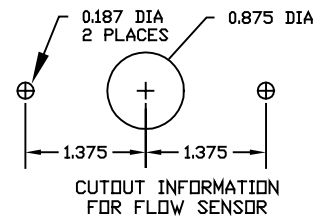
C

B

A



DUCT MOUNTING OPTION



NOTE: GAS SAMPLING OCCURS WHEN AIR FLOW ACROSS THE THE TWO TUBES CAUSES DIFFERENTIAL PRESSURE. THIS METHOD WILL NOT WORK IN STATIC AIR SAMPLING.

DRN	Y.DUBE	00-12-13	QUATROSENSE ENVIRONMENTAL LTD			
CHK			RICHMOND, ONTARIO, CANADA			
DSGN	Y.DUBE	00-12-13	M-17 COMBUSTIBLE DUCT MOUNT INSTALLATION DRAWING			
APVD						
APPLICATION			SIZE	TYPE	DWG NO	REV
			B	ID	84450-003-000	A
FINISH			SCALE	FILE	SHEET 5 OF 5	

4

3

2

1